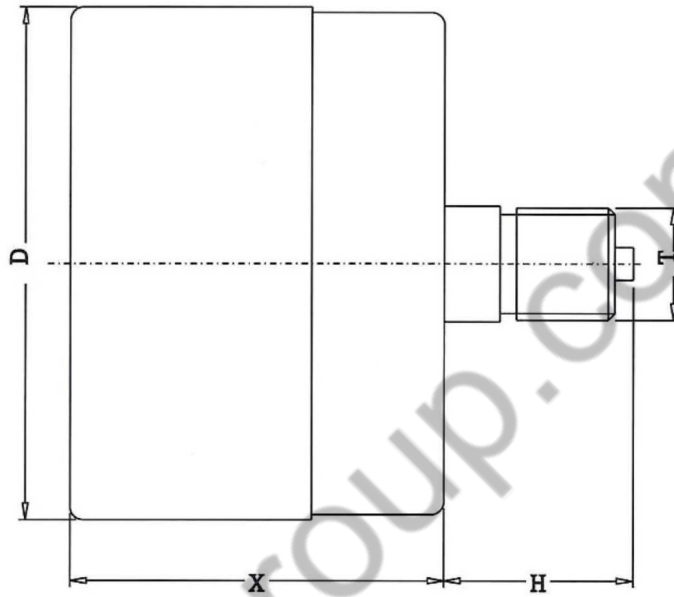
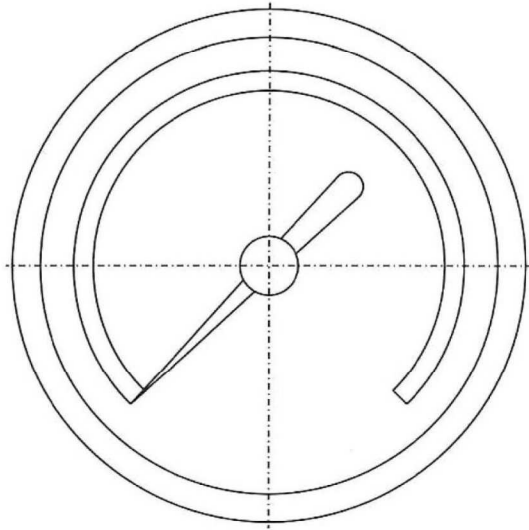


SIZE (M/M)	D	X1	X2	H	T		
					1/4"	3/8"	1/2"
2 1/2" (60)	2.63 (67)	0.36 (9)	1.77 (45)	2.19 (56)	0.51 (13)	-	-
3" (75)	3.07 (78)	0.45 (11)	2.22 (59)	2.99 (76)	-	0.65 (17)	-
4" (100)	3.98 (101)	0.45 (11)	2.5 (63)	3.46 (79)	-	0.65 (17)	-



**CHUEN CHARNG CO.,LTD.**

椿長股份有限公司

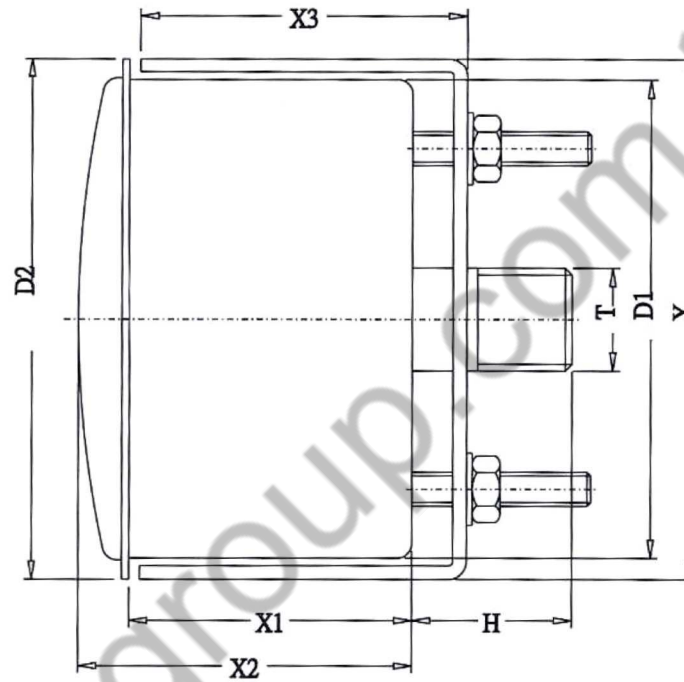
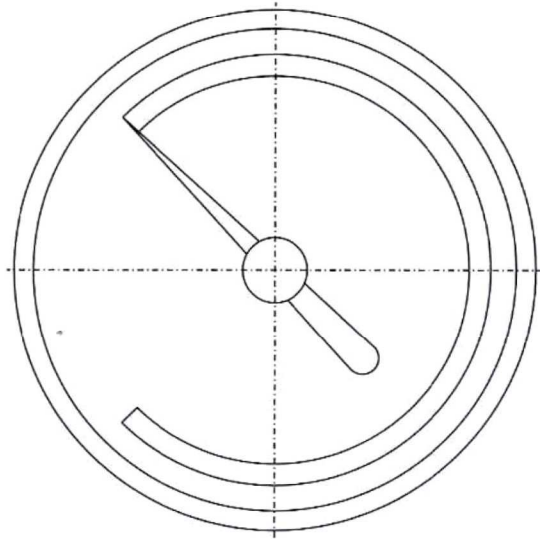


SIZE (M/M)	D	X	H	T		
				1/4"	3/8"	1/2"
2 1/2" (60)	2.64 (67)	1.76 (45)	0.91 (23)	0.51 (13)	-	-
3" (75)	3.07 (78)	2.22 (56)	1.23 (31)	-	0.65 (17)	-
4" (100)	3.98 (101)	2.76 (66)	1.29 (31)	-	0.65 (17)	-



CHUEN CHARNG CO.,LTD.

椿長股份有限公司



SIZE (M/M)	D1	D2	X1	X2	X3	H	Y	T
								1/4"
2 1/2" (60)	2.61 (66)	2.83 (72)	1.54 (39)	1.89 (48)	1.61 (41)	0.99 (25)	2.83 (72)	0.53 (13)



CHUEN CHARNG CO.,LTD.

椿長股份有限公司