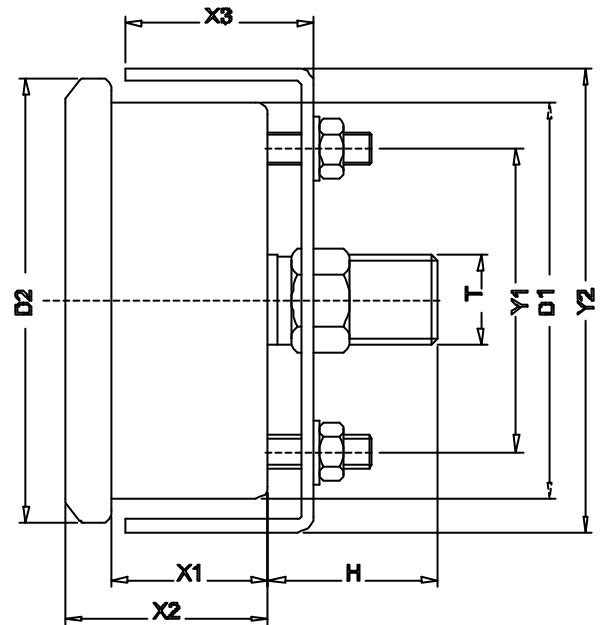
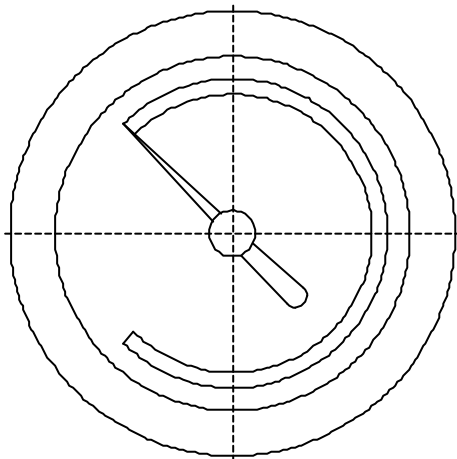


P 300 L-UD



| SIZE (M/M) | D1 | D2 | X1 | X2 | X3 | Y1 | Y2 | H | T | |
|----------------|--------------|--------------|--------------|--------------|--------------|--------------|--------------|--------------|-------------|--------------|
| | | | | | | | | | 1/8" | 1/4" |
| 1 1/2" (40) | 1.60 (41) | 1.85 (47) | 0.8 (20) | 0.99 (25) | 1.01 (26) | 1.02 (26) | 1.74 (44) | 0.59 (15) | 0.37 (9) | - |
| 2 1/2" (60) | 2.42 (62) | 2.72 (69) | 0.96 (25) | 1.25 (32) | 1.14 (29) | 1.63 (42) | 2.8 (71) | 0.85 (22) | - | 0.51 (13) |